

Visual

Gelato & Ice Cream Showcase

H147



Features: Professional ventilated gelato & ice cream showcase with storage under the displayed top pan. Opening glass front with hydro-lift pistons. Tempered glass front & sides, heated with panel control. Refrigerating system with double evaporator, painted for corrosion resistance. Automatic cycle inversion defrost. Lighted flavor markers standard. Control panel in the top section (operator side). Front grill and risers in anodized aluminum (gold or champagne optional). High-intensity LED lighting standard. Automatic condensation evaporation on showcases with internal motor (connected to the main drainage with remote motor). Can be channeled to Visual pastry showcase. Rear closing roll-away blind standard.

VISUAL GELATO & ICE CREAM SHOWCASE

Operating temperature 0°F/+10°F (-18°C/-12°C)

Climate Class 4 (30° C- 55% R.H.)

Relative Humidity 55% -60%

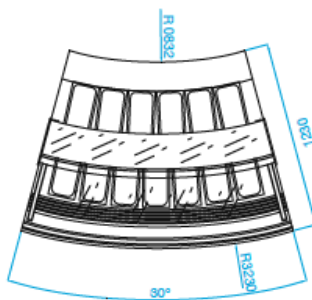
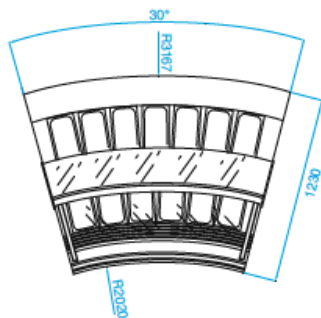
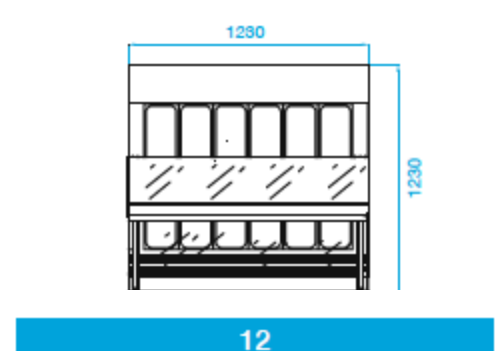
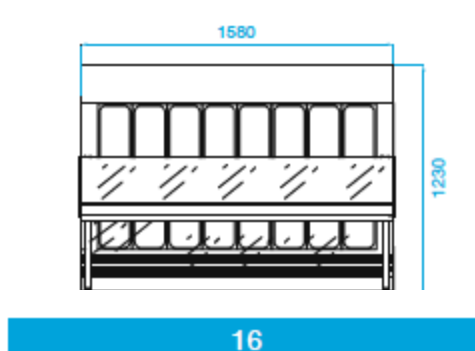
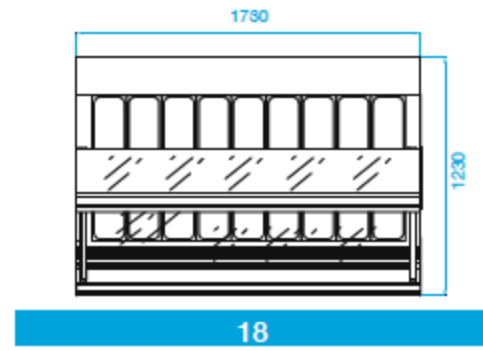
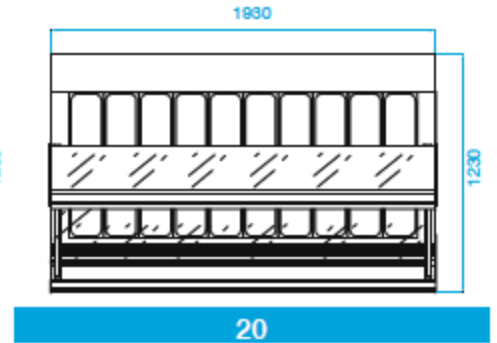
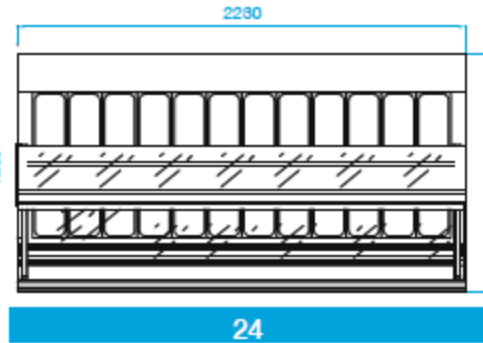
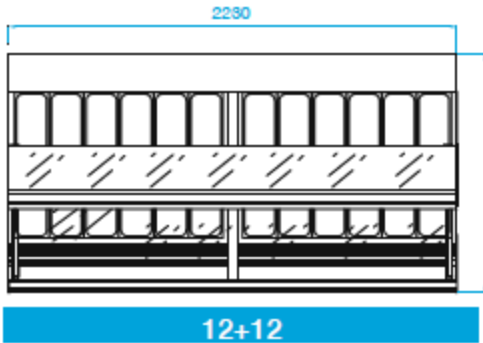
- Structure:** stainless steel & aluminum
- Front glass:** piston opening
- Glass panels:** tempered and heated
- Front & side base panels:** lacquered in a variety of RAL colors; side panel with insert
- Compressor:** available integral or remote
- Defrosting:** automatic cycle inversion
- Lighting:** high-intensity LED standard
- Electric:** 220V 20A 1Phase
- Plumbing:** none required
- Other:** lighted flavor markers standard

info@fmdisplayconcepts.com
800-889-3975
www.fmdisplayconcepts.com





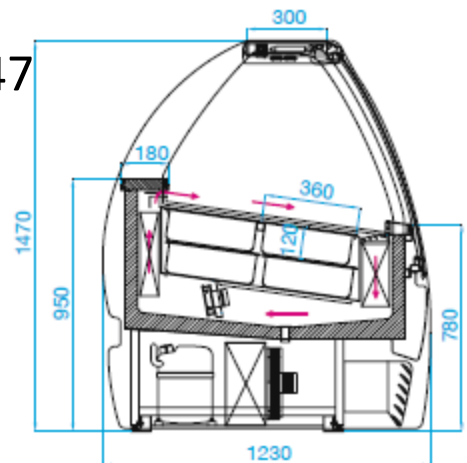
Visual Gelato & Ice Cream Showcase



13 - ANGOLO INTERNO 30°

13 - ANGOLO ESTERNO 30°

H147



Feature	inches	mm
Depth (All)	48.4	1230
Height (All)	57.9	1470
Length (12 pan)	48.4	1230
Length (16 pan)	62.2	1580
Length (18 pan)	68.1	1730
Length (20 pan)	76.0	1930
Length (24 pan)	87.8	2230
Length (12+12)	87.8	2230

ETL LISTED

 Intertek Intertek
 3094110
 CONFORMS TO UL STD 471; NSF STD 7
 CERTIFIED TO CAN/CSA C22.2 STD No. 120

CE
frigomeccanica
 Arredamenti Bar

Dual Ventilation Option

